



# AXIS 214 PTZ Network Camera

*Day & night camera with  
pan/tilt/zoom and audio*

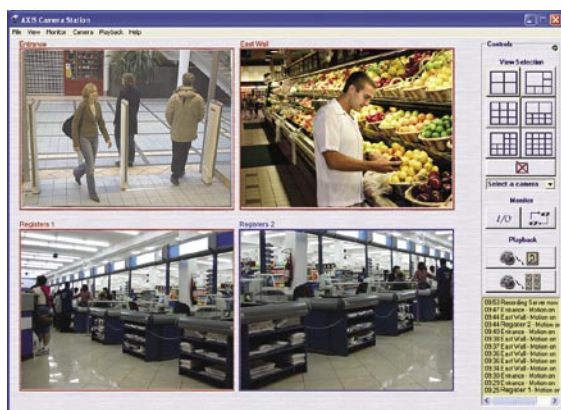
AXIS 214 PTZ Network Camera is a high performance camera for professional surveillance and remote monitoring. It combines a high quality color camera with the flexibility of remote pan/tilt/zoom operations through operator control. Incorporating an 18x optical motorized lens with auto focus, the AXIS 214 PTZ allows the user to zoom in on a small or distant object with exceptional clarity. The movability of the camera enables it to cover a wide field of view.

With automatic day/night functionality and the highly light sensitive CCD, this camera provides perfect color images in low-light conditions as well as sharp black and white pictures in extremely poor lighting conditions. The built-in audio support enables remote users to not only view, but also listen in on an area and communicate orders or requests to visitors or intruders, thereby increasing the monitoring options.

Pre- and post-alarm image buffering, video motion detection, scheduled and triggered event functionality with alarm notification together with two-way audio makes the AXIS 214 PTZ ideal for remotely monitoring people and property. This network camera is designed for use in mid-sized businesses, such as retail stores and supermarkets, transmitting images over the local area network or the Internet.



- Pan and tilt camera with 18x optical zoom and auto focus
- Automatic day and night functionality
- Two-way audio
- Simultaneous MPEG-4 and Motion JPEG
- High-resolution camera with 704x576 pixels PAL, 704x480 NTSC



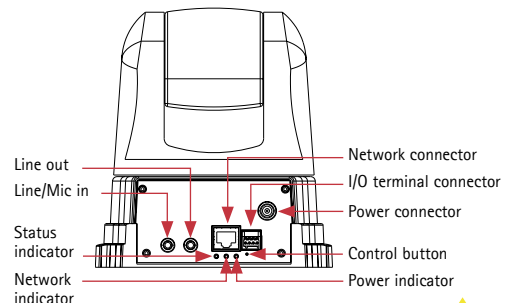
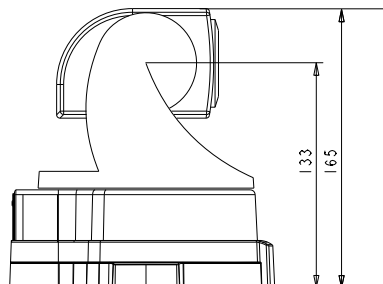
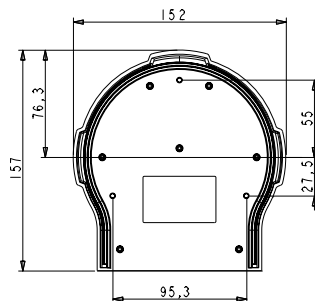
# AXIS 214 PTZ Network Camera



## Specifications

<b>Models</b>	AXIS 214 PTZ 50 Hz (PAL) AXIS 214 PTZ 60 Hz (NTSC)	<b>Power</b>	12 V DC, max 14 W
<b>Image sensor</b>	1/4" Sony ExView HAD CCD	<b>Operating conditions</b>	0 - 45 °C (32 - 113 °F) Humidity 20 - 80% RH (non-condensing)
<b>Lens</b>	18x zoom, auto focus F1.4, 4.1 - 73.8 mm, horizontal viewing angle 2.7° - 48° Focus range: 10 mm (wide) or 800 mm (tele) to infinity	<b>Installation, management and maintenance</b>	AXIS Camera Management tool on CD and web-based configuration Configuration of backup and restore Firmware upgrades over HTTP or FTP, firmware available at <a href="http://www.axis.com">www.axis.com</a>
<b>Minimum illumination</b>	Color mode: 0.3 lux at F1.4, 30IRE Black/white mode: 0.005 lux at F1.4, 30IRE	<b>Video access from Web browser</b>	Camera live view, sequence tour capability for up to 20 Axis video sources*, customizable HTML pages
<b>Video compression</b>	Motion JPEG MPEG-4 Part 2 (ISO/IEC 14496-2), Profiles: ASP and SP	<b>Minimum Web browsing requirements</b>	Pentium III CPU 500 MHz or higher, or equivalent AMD 128 MB RAM AGP graphic card, Direct Draw, 32 MB RAM Windows XP, 2000, Server 2003, DirectX 9.0 or later Internet Explorer 6.x or later  For other operating systems and browsers see <a href="http://www.axis.com/techsup">www.axis.com/techsup</a>
<b>Resolutions</b>	Resolutions 4CIF, 2CIFExp, 2CIF, CIF, QCIF max 704x480 (NTSC) 704x576 (PAL) min 160x120 (NTSC) 176x144 (PAL)	<b>System integration support</b>	Powerful API for software integration available at <a href="http://www.axis.com">www.axis.com</a> including AXIS VAPIX API, AXIS Media Control SDK, event trigger data in video stream, embedded scripting and access to serial port peripherals over HTTP/TCP. Watchdog secures continuous operation, can be monitored by other systems via event notification Embedded operating system: Linux
<b>Frame rate</b>	Motion JPEG: Up to 30/25 fps in all resolutions MPEG-4: Up to 21/17 fps at 4CIF/2CIFExp Up to 30/25 fps at 2CIF/CIF/QCIF	<b>Supported protocols</b>	IP, HTTP, HTTPS, SSL/TLS**, TCP, ICMP, SNMPv1/v2c/v3 (MIB-II), RTSP, RTP, UDP, IGMP, RTCP, SMTP, FTP, DHCP, UPnP, ARP, DNS, DynDNS, SOCKS, NTP etc. More information on protocol usage available at <a href="http://www.axis.com">www.axis.com</a>  ** This product includes software developed by the Open SSL Project for use in the Open SSL Tool kit ( <a href="http://www.openssl.org">www.openssl.org</a> )
<b>Video streaming</b>	Simultaneous Motion JPEG and MPEG-4 Controllable frame rate and bandwidth Constant and variable bit rate (MPEG-4)	<b>Video management software (not incl.)</b>	AXIS Camera Station - Surveillance application for viewing, recording and archiving up to 25 cameras AXIS Camera Management - Video installation and management tool AXIS Camera Explorer - Basic software for viewing and manual recording
<b>Image settings</b>	Compression levels: 11 (Motion JPEG) /23 (MPEG-4) Rotation: 90°, 180°, 270° Aspect ratio correction Backlight compensation, brightness, sharpness, exposure and white balance Configurable IR cut filter Auto/Day/Night Overlay capabilities: time, date, text or image De-interlace (4 CIF resolution)	<b>Included accessories</b>	Ceiling mount kit, Installation Guide, CD with User's Manual, demo software, installation and management tools, connector kit, MPEG-4 licenses (1 encoder, 1 decoder), MPEG-4 decoder (Windows) Indoor power supply 12 V, 3 A
<b>Pan/Tilt/Zoom</b>	Pan: ±170°, Max speed 100°/sec Tilt: -30° to 90°, Max speed 90°/sec Zoom: 18x optical, 12x digital (216x in total) 20 preset positions Designed for operator control*	<b>Accessories (not incl.)</b>	IP 65-rated dome housing for outdoor installation, AXIS MPEG-4 Decoder 10 user license pack
<b>Shutter time</b>	1 to 1/10 000 sec	<b>Approvals</b>	EN55022 Class A, EN 55024, EN61000-3-2, EN61000-3-3, EN61000-6-1, EN61000-6-2 FCC Part 15 Subpart B Class A, VCCI Class A, C-tick AS/NZS CISPR 22, ICES-003 Class A, EN60950 Power Supply: UL, cUL, EN60950
<b>Audio</b>	Two-way, full duplex G.711 PCM 64kbit/s, G.726 ADPCM 32 or 24 kbit/s	<b>Maximum dimensions (HxWxD) and weight</b>	179 x 152 x 157 mm (7 1/32 x 5 31/32 x 6 3/16) 1110 g (2 7/16 lbs)
<b>Security</b>	Multiple user access levels with password protection, IP address filtering, HTTPS encryption		
<b>Users</b>	20 simultaneous users Unlimited number of users using multicast (MPEG-4)		
<b>Alarm and event management</b>	Events triggered by built-in multi-window motion detection, external inputs or according to a schedule Image upload over FTP, email and HTTP Notification over TCP, email, HTTP and external output Pre- and post alarm buffer of 9 MB (approx 5 min of QCIF resolution video at 4 frames per sec)		
<b>Connectors</b>	Ethernet 10BaseT/100BaseTX, RJ-45 Terminal block for 1 alarm input, 1 output and alternative power connection Audio connector: Line/mic in: Pink, 3,5mm tele jack Line out: Lime, 3,5mm tele jack		
<b>Processors and memory</b>	CPU: ETRAX 100LX 32bit Video processing and compression: ARTPEC-2 RAM: 32 MB, Flash: 8 MB Battery backed-up real-time clock		

\* Not designed for continuous PTZ movements e.g. Guard tour. For continuous movement, please see Axis network dome offering



AIRLINX Communications, Inc.  
Box 253  
Greenville, NH 03048  
E-mail: [sales@airlinx.com](mailto:sales@airlinx.com)  
Tel: (888) 224-6814  
Fax: (603) 878-0530

**AXIS**  
COMMUNICATIONS  
Make your network smarter